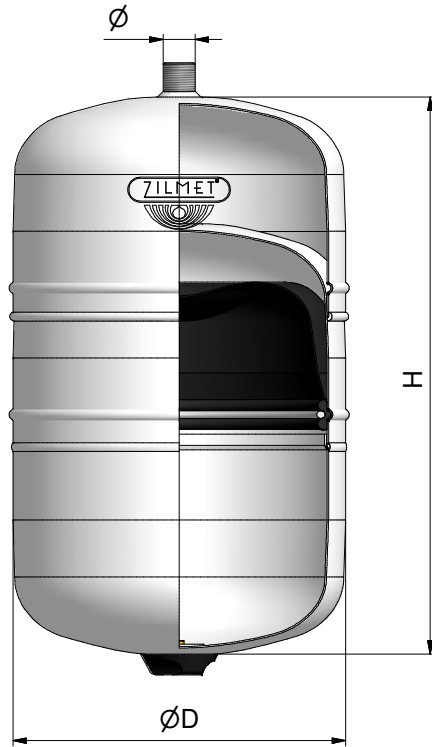


Technical drawing SOLAR PLUS SAFE CE
Drw. no. 20016

(12L SOLAR + 3,5L VSG)
(18L SOLAR + 6L VSG)
(25L SOLAR + 10L VSG)



(35L SOLAR + 12L VSG)W.F.

